



# Parts Manual

Mfg. No: 030677-00  
5,000 Watt Briggs & Stratton



---

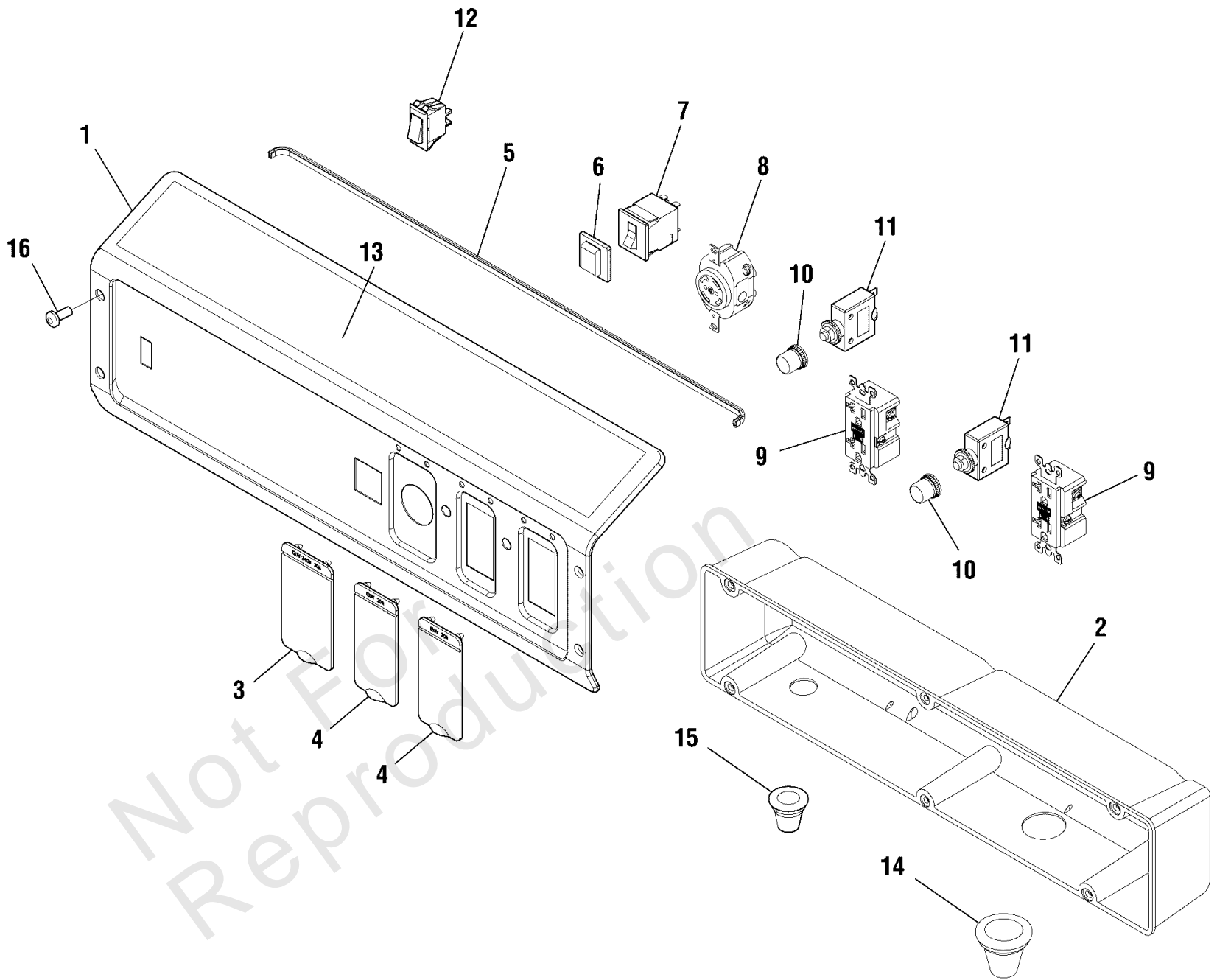
<b>Model Components</b>	<b>Page</b>
Control Panel (80019166).....	4
Main Unit (80016035).....	6
Wheel Kit (80006254).....	10
Wiring Diagram (8007537WD).....	12
Wiring Schematic (8007537WS).....	14
Torque Specification Chart.....	16

Not For  
Reproduction

# Control Panel (80019166)

Note: Unless noted otherwise, use the standard torque specifications

Mfg. No: 030677-00



## Control Panel (80019166)

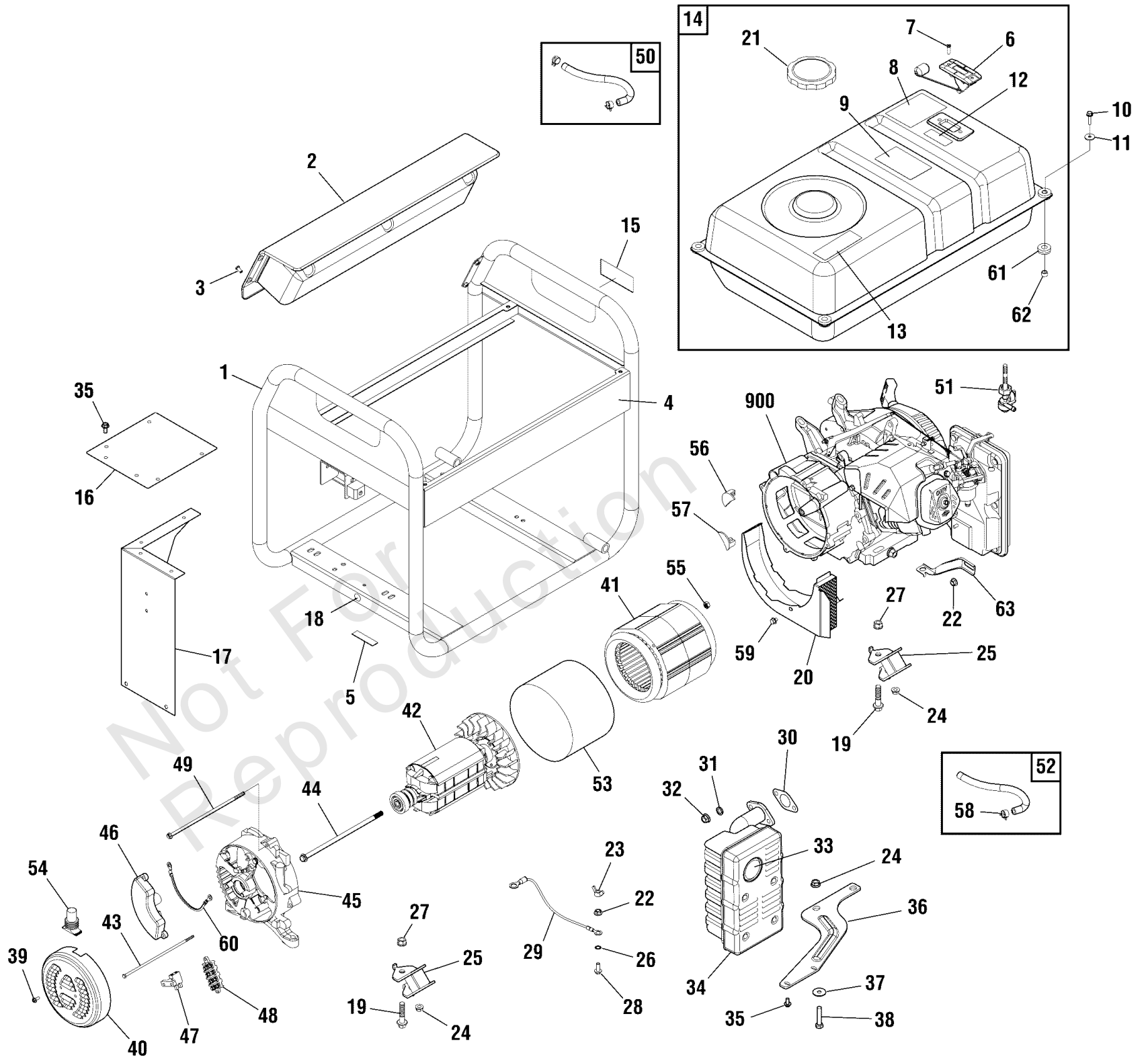
REF NO	PART NO	QTY	DESCRIPTION
1	705522		PANEL-CONTROL
2	319458GS		BOX-CONTROL PANEL
3	319477GS		COVER-OUTLET
4	319476GS		COVER-OUTLET
5	319459GS		TRIM-EDGE
6	191481GS		BOOT, Breaker Circuit
7	704197		BREAKER-CIRCUIT
8	43437GS		OUTLET
9	709526		OUTLET
10	312636GS		BOOT-CIRCUIT BREAKER
11	704907		BREAKER-CIRCUIT 20A
12	319525GS		SWITCH-ON/OFF
13	709942		DECAL
14	319529GS		GROMMET
15	319530GS		GROMMET
16	703804		SCREW

Not For Reproduction

# Main Unit (80016035)

Note: Unless noted otherwise, use the standard torque specifications

Mfg. No: 030677-00



## Main Unit (80016035)

REF NO	PART NO	QTY	DESCRIPTION
1	709930		CRADLE
2	709936		PANEL-CONTROL
3	703804		SCREW
4	709933		DECAL
5	706535		PAD-RUBBER
6	704183		GAUGE-FUEL
7	314440GS		SCREW
8	202997GS		DECAL
9	709937		DECAL
10	703805		SCREW
11	312005GS		WASHER
12	703264		DECAL
13	709667		DECAL
14	709929		TANK-FUEL
15	704142		DECAL
16	319456GS		HEATSHIELD
17	708881		HEATSHIELD
18	704331		DECAL
19	709939		BOLT
20	709941		COVER-ALT
21	319587GS		CAP-FUEL
22	-----		* NUT, Flange Lock, M6
23	87680GS		NUT
24	-----		* NUT, Flange Lock, M8
25	708877		MOUNT-VIBRATION
26	-----		* WASHER, Ext. Shakeproof, M6
27	709938		NUT-M10 FLANGE LOCK
28	706355		SCREW
29	709932		WIRE
30	704853		GASKET
31	-----		* WASHER, Lock, M8
32	-----		* NUT, Hex, M8-1.25
33	83083GS		SCREEN
34	708878		MUFFLER
35	-----		* SCREW, Flange, M6 x 12
36	708879		BRACKET-MUFFLER
37	-----		* WASHER, Flat, M8
38	709934		BOLT
39	709935		SCREW
40	704838		END COVER
41	704140		STATOR
42	709943		ROTOR
43	709944		BOLT
44	709946		BOLT
45	704836		CARRIER-BEARING
46	704913		VOLTAGE REGULATOR
47	704915		BRUSH ASSY
48	705783		TERMINAL BLOCK

### Footnotes:

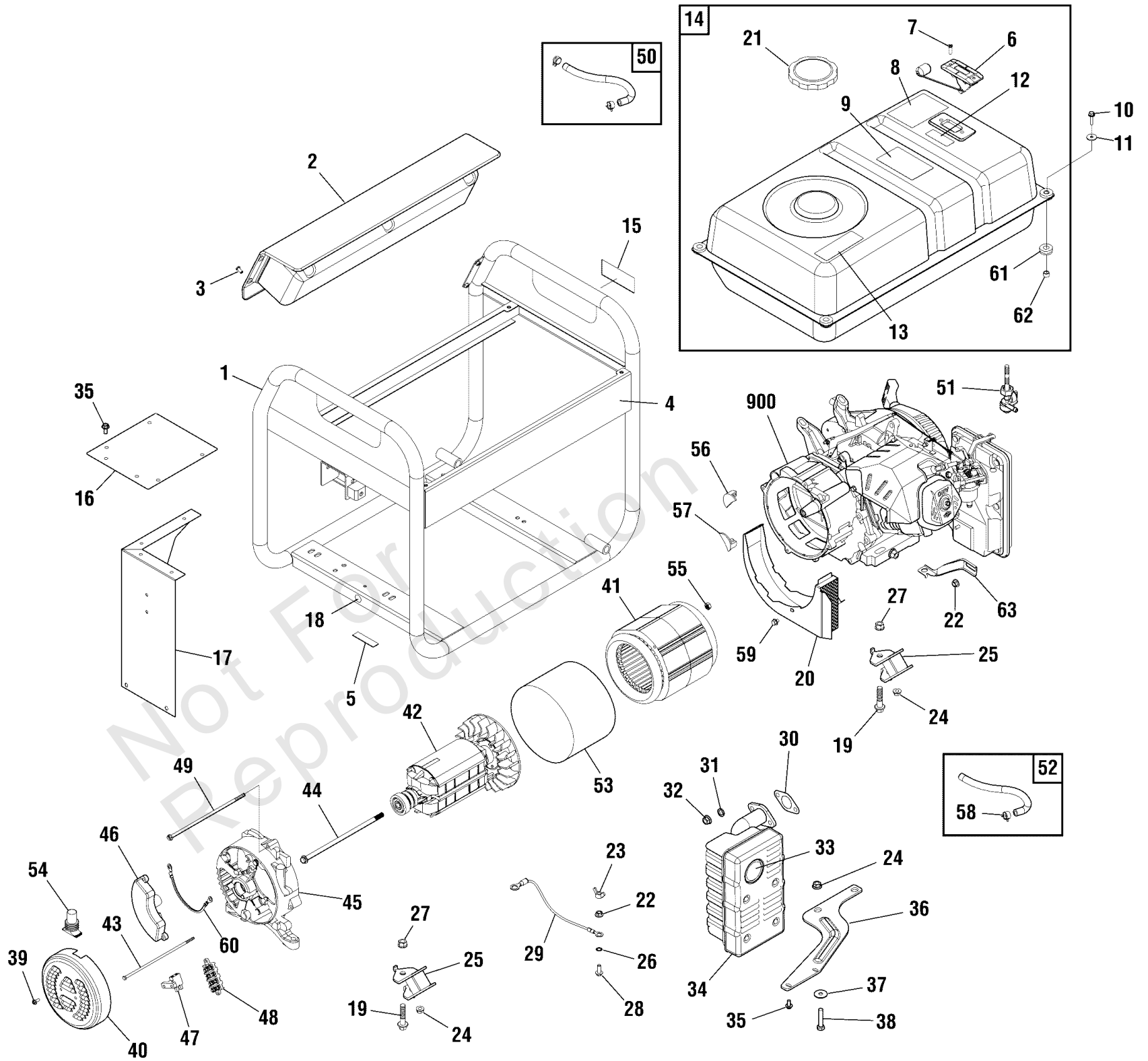
\*\* To verify your specific engine model, please reference the ID Tag located on your engine. See your local Briggs & Stratton distributor for parts and service.

\* Items without part numbers are common fasteners. Purchase locally.

# Main Unit (80016035)

Note: Unless noted otherwise, use the standard torque specifications

Mfg. No: 030677-00





## Main Unit (80016035)

REF NO	PART NO	QTY	DESCRIPTION
49	709945		BOLT
50	791745		LINE, Fuel
51	209417GS		VALVE-FUEL
52	315017GS		HOSE-VAPOR (cut to fit)
53	317342GS		BAND-STATOR
54	207879GS		BOOT
55	709931		NUT
56	705771		GUARD
57	705772		GUARD
58	314955GS		CLAMP
59	-----		* SCREW, Flange, M6 x 8
60	709940		WIRE
61	189134GS		GROMMET
62	189137GS		SPACER
63	708880		BRACKET
900	24G032-0001-G1		** ENGINE

Not For  
Reproduction

---

**Footnotes:**

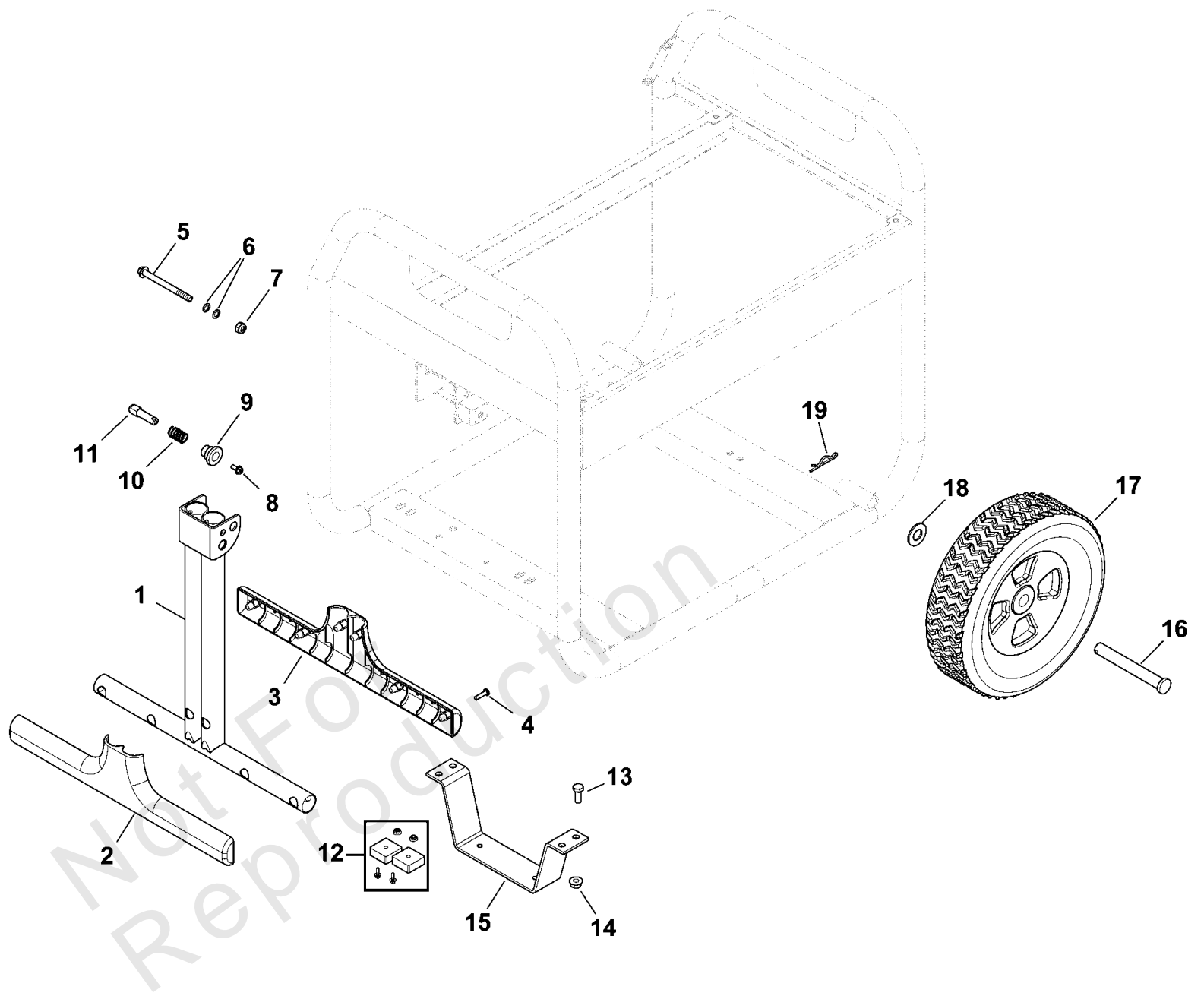
\*\* To verify your specific engine model, please reference the ID Tag located on your engine. See your local Briggs & Stratton distributor for parts and service.

\* Items without part numbers are common fasteners. Purchase locally.

# Wheel Kit (80006254)

Note: Unless noted otherwise, use the standard torque specifications

Mfg. No: 030677-00



## Wheel Kit (80006254)

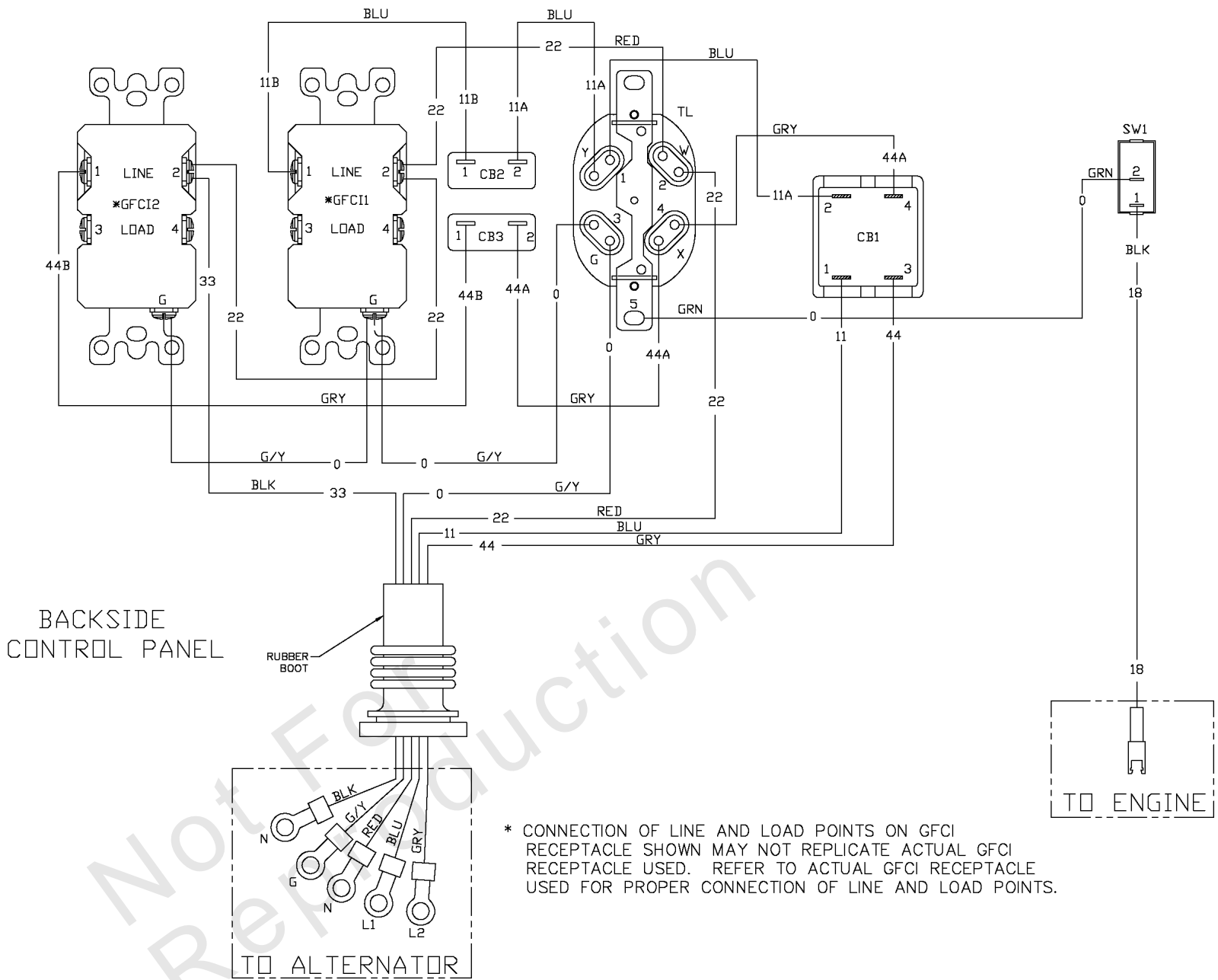
REF NO	PART NO	QTY	DESCRIPTION
1	319396GS	1	HANDLE
2	319360GS	1	GRIP-HANDLE
3	319361GS	1	GRIP-HANDLE
4	75477GS	6	SCREW
5	318677GS	1	BOLT
6	84002245	2	WASHER
7	49820GS	1	NUT
8	84001685	1	BOLT
9	319453GS	1	KNOB
10	319452GS	1	SPRING
11	319454GS	1	PIN
12	319285GS	1	MOUNT-VIBRATION
13	771804	4	BOLT
14	67989GS	4	NUT
15	704198	1	SUPPORT-LEG
16	703813	2	AXLE
17	704145	2	WHEEL
18	22247GS	2	WASHER
19	316510GS	2	PIN-HAIR

Not For Reproduction

# Wiring Diagram (8007537WD)

Note: Unless noted otherwise, use the standard torque specifications

Mfg. No: 030677-00



## Wiring Diagram (8007537WD)

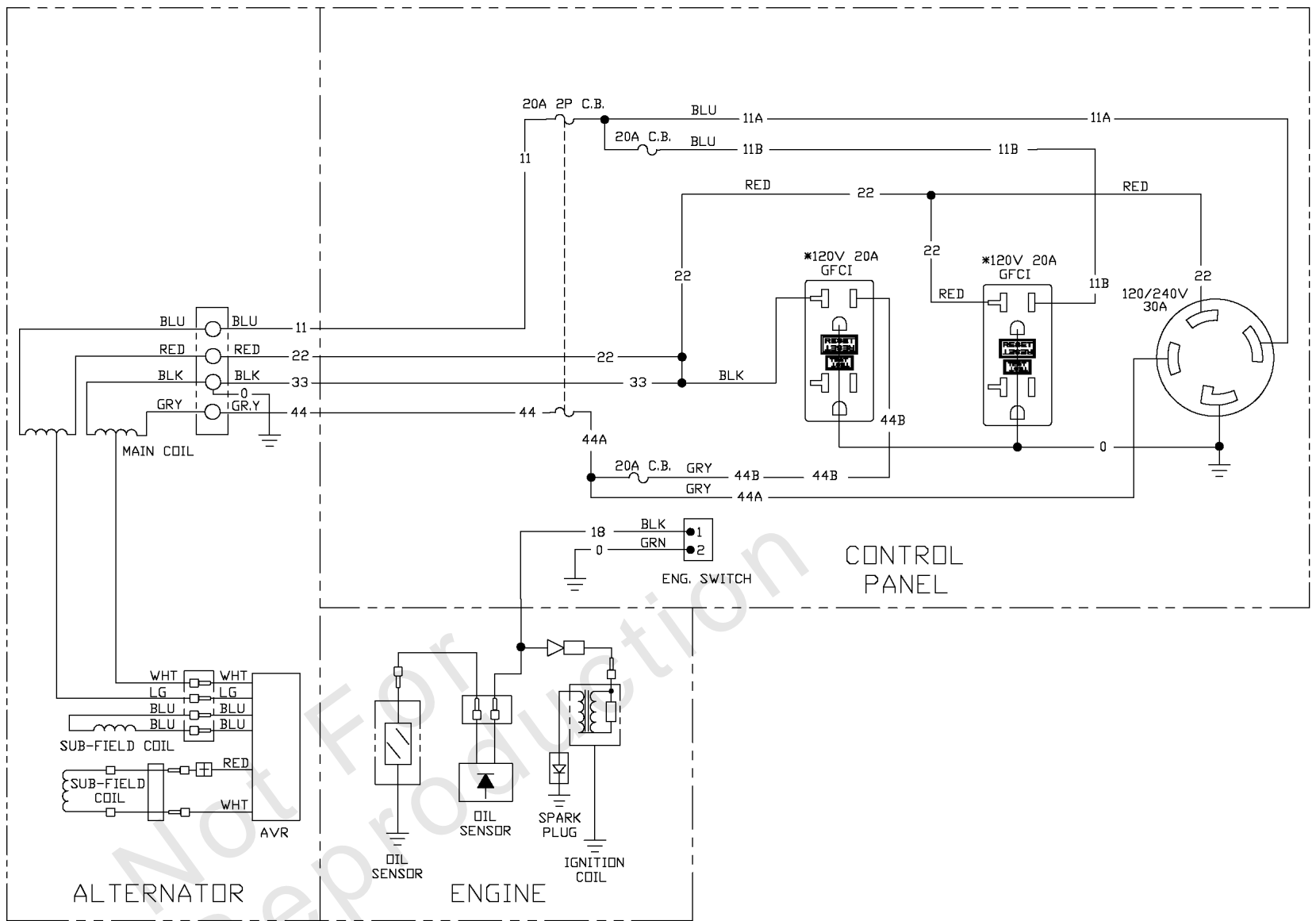
REF NO	PART NO	QTY	DESCRIPTION
--	-----		Wiring Diagram Only
--	-----		WARNING - Generator Voltage Could Cause Electrical Shock or Burn Resulting in Death Or Serious Injury. To Avoid Electrical Shock Or Burn Hazard, Please Refer Service To Qualified Personnel.

Not For Reproduction

# Wiring Schematic (8007537WS)

Note: Unless noted otherwise, use the standard torque specifications

Mfg. No: 030677-00



## Wiring Schematic (8007537WS)

REF NO	PART NO	QTY	DESCRIPTION
--	-----		Wiring Schematic Only
--	-----		WARNING - Generator Voltage Could Cause Electrical Shock or Burn Resulting in Death Or Serious Injury. To Avoid Electrical Shock Or Burn Hazard, Please Refer Service To Qualified Personnel.

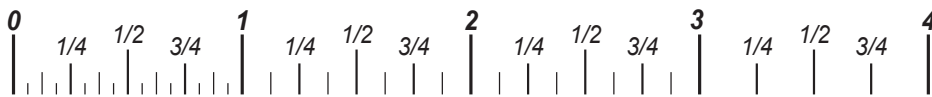
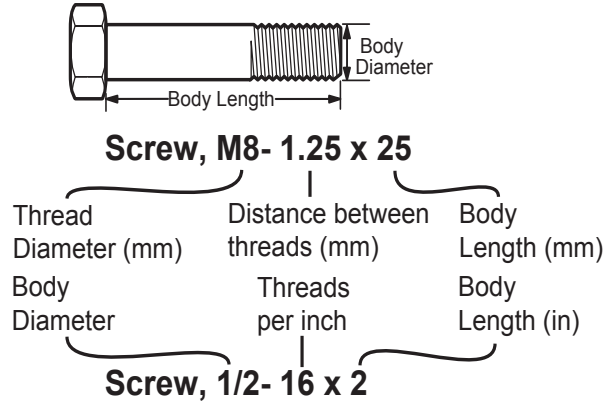
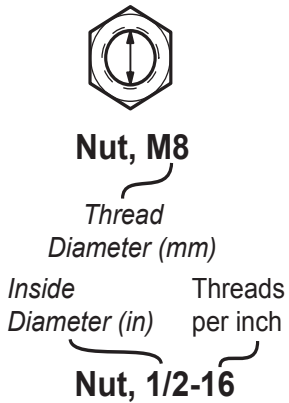
Not For Reproduction

# Hardware Identification & Torque Specifications

Torque Specification Chart								
FOR STANDARD METRIC MACHINE HARDWARE (Tolerance ± 20%)								
Property Class	5.6		8.8		10.9		12.9	
	Class 5.6		Class 8.8		Class 10.9		Class 12.9	
Size Of Hardware	in/lbs		in/lbs		in/lbs		in/lbs	
	ft/lbs	Nm.	ft/lbs	Nm.	ft/lbs	Nm.	ft/lbs	Nm.
M3	5.88	.56	13.44	1.28	19.2	1.80	22.92	2.15
M4	13.44	1.28	30.72	2.90	43.44	4.10	52.56	4.95
M5	26.4	2.50	60.96	5.75	5.97	8.10	7.15	9.7
M6	44.64	4.3	7.3	9.9	10.3	14	12.1	16.5
M7	5.2	7.1	12.1	16.5	16.9	23	19.9	27
M8	7.7	10.5	17.7	24	25	34	29	40
M10	15	21	35	48	50	67	59	81
M12	26	36	61	83	86.2	117	103	140
M14	42	58	101	132	136	185	162	220
M16	64	88	147	200	210	285	250	340
M18	89	121	202	275	287	390	346	470
M20	126	171	290	390	405	550	486	660
M22	169	230	390	530	559	745	656	890
M24	217	295	497	375	708	960	840	1140
M27	320	435	733	995	1032	1400	1239	1680
M30	435	590	995	1350	1401	1900	1681	2280
M33	590	800	1349	1830	1902	2580	2278	3090
M36	759	1030	1740	2360	2441	3310	2935	3980
M39	988	1340	2249	3050	3163	4290	3798	5150

Torque Specification Chart						
FOR STANDARD MACHINE HARDWARE (Tolerance ± 20%)						
Hardware Grade	No Marks		SAE Grade 5		SAE Grade 8	
	SAE Grade 2		SAE Grade 5		SAE Grade 8	
Size Of Hardware	in/lbs		in/lbs		in/lbs	
	ft/lbs	Nm.	ft/lbs	Nm.	ft/lbs	Nm.
8-32	19	2.1	30	3.4	41	4.6
8-36	20	2.3	31	3.5	43	4.9
10-24	27	3.1	43	4.9	60	6.8
10-32	31	3.5	49	5.5	68	7.7
1/4-20	66	7.6	8	10.9	12	16.3
1/4-28	76	8.6	10	13.6	14	19.0
5/16-18	11	15.0	17	23.1	25	34.0
5/16-24	12	16.3	19	25.8	29	34.0
3/8-16	20	27.2	30	40.8	45	61.2
3/8-24	23	31.3	35	47.6	50	68.0
7/16-14	30	40.8	50	68.0	70	95.2
7/16-20	35	47.6	55	74.8	80	108.8
1/2-13	50	68.0	75	102.0	110	149.6
1/2-20	55	74.8	90	122.4	120	163.2
9/16-12	65	88.4	110	149.6	150	204.0
9/16-18	75	102.0	120	163.2	170	231.2
5/8-11	90	122.4	150	204.0	220	299.2
5/8-18	100	136	180	244.8	240	326.4
3/4-10	160	217.6	260	353.6	386	525.0
3/4-16	180	244.8	300	408.0	420	571.2
7/8-9	140	190.4	400	544.0	600	816.0
7/8-14	155	210.8	440	598.4	660	897.6
1-8	220	299.2	580	788.8	900	1,244.0
1-12	240	326.4	640	870.4	1,000	1,360.0

The guides and ruler furnished below are designed to help you select the appropriate hardware.



## Standard Hardware Sizing

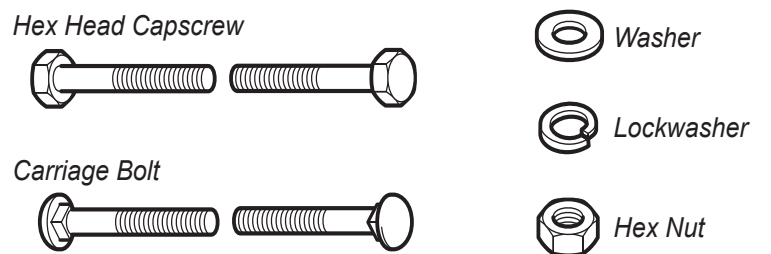
When a washer or nut is identified as 1/2" (M8), this is the *Nominal size*, meaning the *inside diameter* is 1/2 inch (8mm metric thread diameter); if a second number is present it represents the *threads per inch* (distance between threads).

When bolt or capscrew is identified as 1/2 - 16 x 2" (M8 - 1.25 x 50), this means the *Nominal size*, or body diameter is 1/2 inch (8mm metric thread diameter), the second number, 16, represents the *threads per inch*, (*distance between threads*). The final number is the body length of the bolt or screw, 2 inches (50mm).

## NOTES

- These torque values are to be used for all hardware excluding: locknuts, self-tapping screws, thread forming screws, sheet metal screws and socket head setscrews.
- Recommended seating torque values for locknuts:
  - for prevailing torque locknuts - use 65% of grade 5 torques.
  - for flange whizlock nuts and screws - use 135% of grade 5 torques.
- Unless otherwise noted on assembly drawings, all torque values must meet this specification.

## Common Hardware Types



## Wrench & Fastener Size Guide

1/4" Bolt or Nut Wrench—7/16"	5/16" Bolt or Nut Wrench—1/2"	3/8" Bolt or Nut Wrench—9/16"	7/16" Bolt or Nut Wrench (Bolt)—5/8" Wrench (Nut)—11/16"	1/2" Bolt or Nut Wrench—3/4"
M6 Bolt or Nut Wrench—10mm	M8 Bolt or Nut Wrench—13mm	M10 Bolt or Nut Wrench—17mm	M12 Bolt or Nut Wrench—19mm	M14 Bolt or Nut Wrench—22mm



